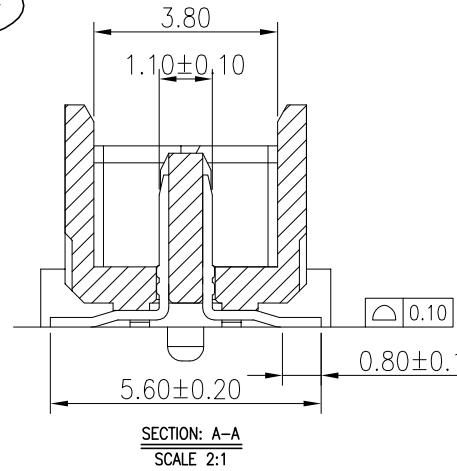
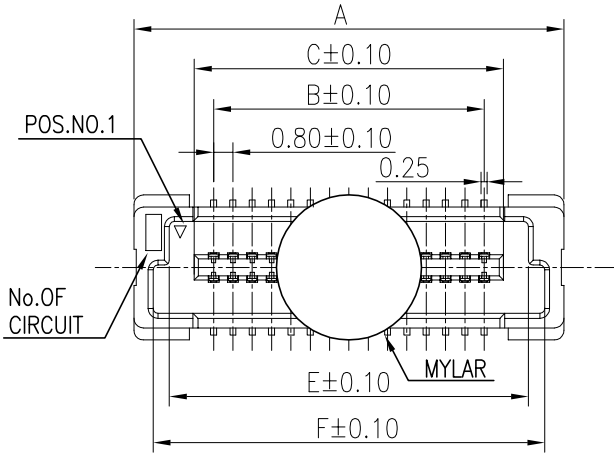


The product using material and processing must conform to the "WI-PZ-142"HSF technical standard control requirements

RoHS+HF



- NOTE:
- MATERIAL SPECIFICATION:
    - HOUSING: LCP UL94V-0,COLOR:BEIGE.
    - CONTACTS: PHOSPHOR BRONZE.
  - PLATING SPECIFICATION:
    - CONTACTS: 1 μ" GOLD FLASH OVERALL  
50~100 μ" NICKEL UNDER PLATED.
  - MECHANICAL PERFORMANCE:
    - RETENTIVITY FORCE: 0.01Kg/PIN MIN
    - DURABILITY: 50 CYCLES.
  - ELECTRICAL PERFORMANCE:
    - CURRENT RATING: 0.5A
    - VOLTAGE RATING: 100V
    - CONTACT RESISTANCE: 60mΩ Max.
    - INSULATION RESISTANCE: 500MΩ MIN
    - DIELECTRIC WITHSTANDING VOLTAGE: 500V
  - ENVIRONMENTAL PERFORMANCE:
    - OPERATING TEMPERATURE: -40°C~+125°C.
    - SALT FOG: 24H
  - P/N:

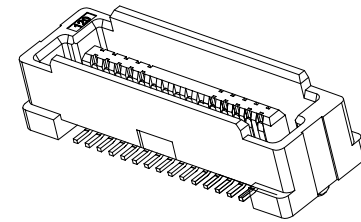
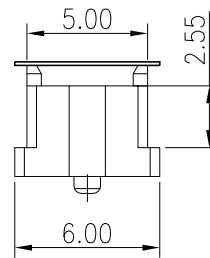
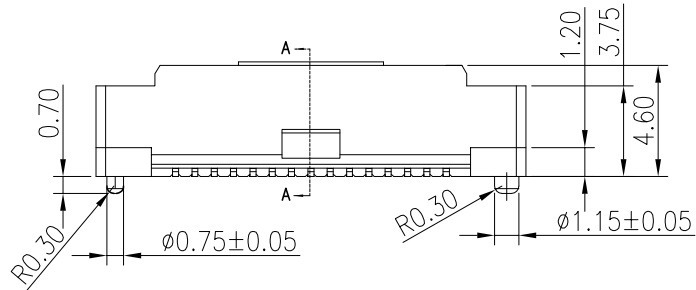
B0806 46 M 0-2 XX 2 X X X 01

SERIES NO: | 46 | M | 0-2 | XX | 2 | X | X | X | 01 | TYPE:  
 |-----|-----|-----|-----|-----|-----|-----|-----|-----| 1-SHELL  
 |-----|-----|-----|-----|-----|-----|-----|-----|-----| 2-MYLAR

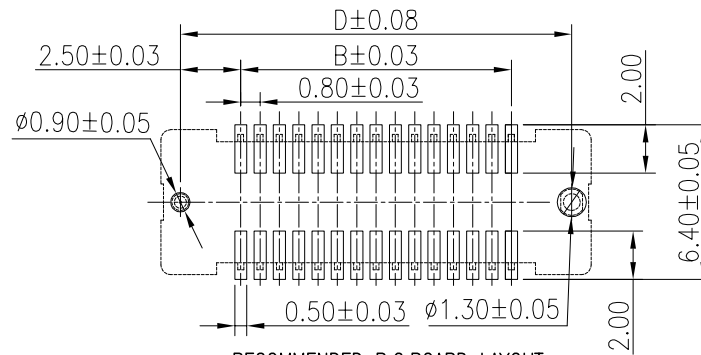
HEIGHT: |-----| 46: 4.6mm | COLOR:  
 |-----|-----|-----|-----|-----|-----|-----|-----|-----| M-BEIGE  
 MALE FEMALE: |-----|-----|-----|-----|-----|-----|-----|-----|-----| K-WHITE  
 M-MALE |-----|-----|-----|-----|-----|-----|-----|-----|-----| S-NATURE

ANGLE: |-----| 0-180° | PLATING:  
 |-----|-----|-----|-----|-----|-----|-----|-----|-----| A-ALL AU G/F  
 ROW NO: |-----| 2-DOUBLE ROW | |-----|-----|-----|-----|-----|-----|-----|-----|-----| C-BRIGHE TIN

PIN Q'PY: |-----| 20~200 | TERMIPOINT:  
 |-----|-----|-----|-----|-----|-----|-----|-----|-----| 2-SMT



3D VIEW



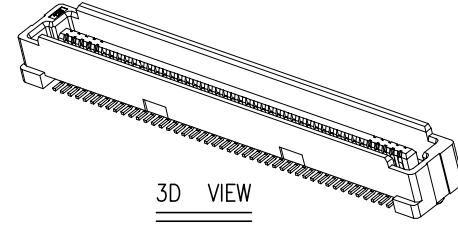
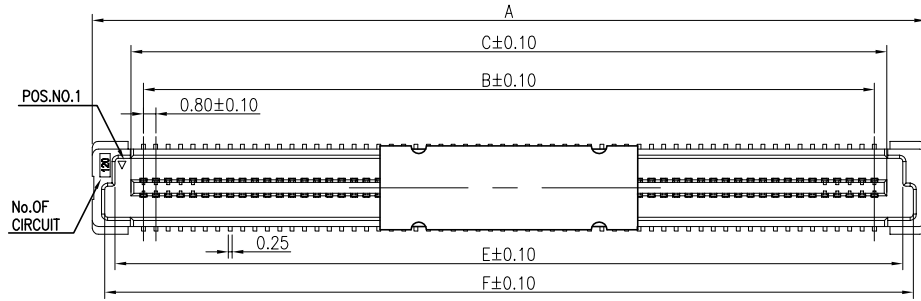
Circuit	Dimensions					
	A	B	C	D	E	F
20	13.80	7.20	8.80	12.20	10.86	12.21
30	17.80	11.20	12.80	16.20	14.86	16.21

REV.	REVISION RECORD	DATE	UNIT:mm	GENERAL TOLERANCES		SCALE: 1:1	NAME	DATE	PART.NO: B080646M0-2XX2XXX01	DWG.NO: ENDE05	TITLE: 0.8mm PITCH BTB CONNECTOR PLUG ASSEMBLY 5.0H TYPE	REV: A1	SHEET: 1/3
				LINEAR	ANGLES								
A0	NEW RELEASE	21.01.13	⊕	0.00±0.25	X'±3'	APPROVED	Wang_jr	24.03.21					
A1	REMOVAL NOTCH	24.03.21	⊕	0.00±0.10	X'X' ±2'	DESIGNER	Wang_jr	24.03.21					
			⊕	0.00±0.35	X*REF±6'	DRAWN	Wang_jr	24.03.21					

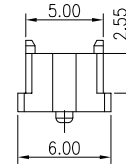
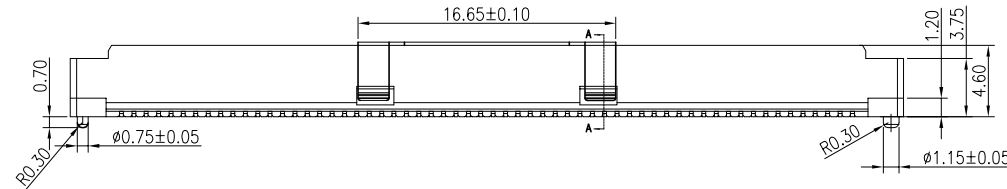


The product using material and processing must conform to the "WI-PZ-142"HSF technical standard control requirements

RoHS+HF



- NOTE:
- MATERIAL SPECIFICATION:
    - HOUSING: LCP UL94V-0, COLOR: BEIGE.
    - CONTACTS: PHOSPHOR BRONZE.
    - SHELL: SUS.
  - PLATING SPECIFICATION:
    - CONTACTS: 1 μ" GOLD FLASH OVERALL  
50~100 μ" NICKEL UNDER PLATED.
  - ELECTRICAL PERFORMANCE:
    - CURRENT RATING: 0.5A
    - CONTACT RESISTANCE: 60mΩ Max.
    - INSULATION RESISTANCE: 500MΩ MIN
    - DIELECTRIC WITHSTANDING VOLTAGE: 500V
  - ENVIRONMENTAL PERFORMANCE:
    - OPERATING TEMPERATURE: -40°C~+125°C.
    - SALT FOG: 24H
  - P/N:



SERIES NO: B0806 47 M 0-2 XX 2 X X X 01

HEIGHT: 47: 4.7mm

MALE FEMALE: M-MALE

ANGLE: 0-180°

ROW NO: 2-DOUBLE ROW

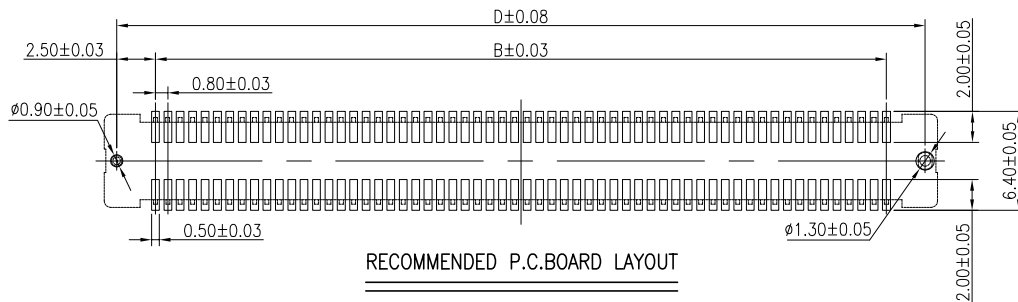
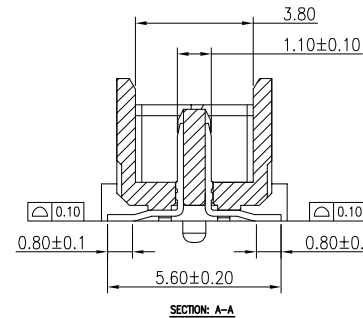
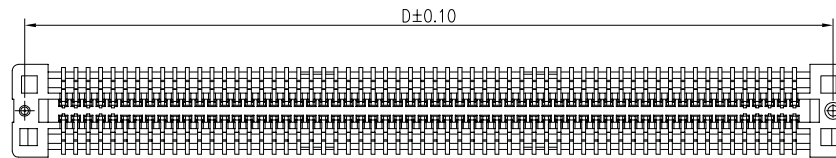
PIN Q'PY: 20~200

TYPE:  
1-SHELL  
2-MYLAR


COLOR:  
M-BEIGE  
S-NATURE

PLATING:  
A-ALL AU G/F  
1-G/F  
C-BRIGHE TIN

TERMIPOINT:  
2-SMT



Circuit	Dimensions					
	A	B	C	D	E	F
40	21.80	15.20	16.80	20.20	18.86	20.21
50	25.80	19.20	20.80	24.20	22.86	24.21
60	29.80	23.20	24.80	28.20	26.86	28.21
80	37.80	31.20	32.80	36.20	34.86	36.21
100	45.80	39.20	40.80	44.20	42.86	44.21
120	53.80	47.20	48.80	52.20	50.86	52.21
140	61.80	55.20	46.80	60.20	58.86	60.21
160	69.80	63.20	64.80	68.20	66.86	68.21
180	77.80	71.20	72.80	76.20	74.86	76.21
200	85.80	79.20	80.80	84.20	82.86	84.21

REV.	REVISION RECORD	DATE	GENERAL TOLERANCES		SCALE:	NAME	DATE	PART.NO:	DWG.NO:	 WanLian Teconology Co., Ltd
A0	NEW RELEASE	21.01.13	LINEAR	ANGLES	1:1	Wang_jr	24.03.21	B080646M0-2XX2XXX01	ENDE05	
A1	REMOVAL NOTCH	24.03.21	0.0±0.35	X'REF±6°	DESIGNER	Wang_jr	24.03.21	TITLE: 0.8mm PITCH BTB CONNECTOR PLUG ASSEMBLY 5.0H TYPE	REV: A1	SHEET: 2/3
			0.00±0.25	X'±3°	DRAWN	Wang_jr	24.03.21			
			UNIT:mm	X'X' ±2°						
			SIZE: A4	0.000±0.10						

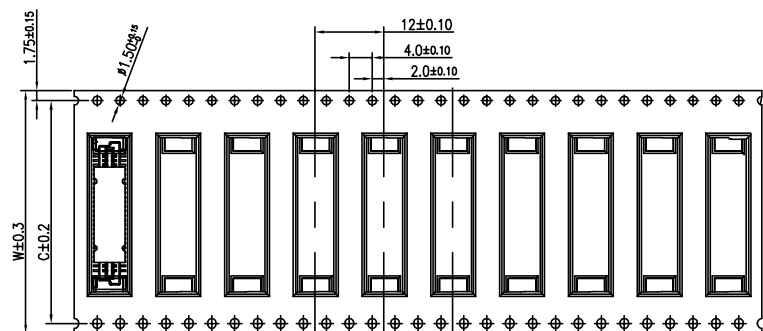
The product using material and processing must conform to the "WI-PZ-142"HSF technical standard control requirements

RoHS+HF

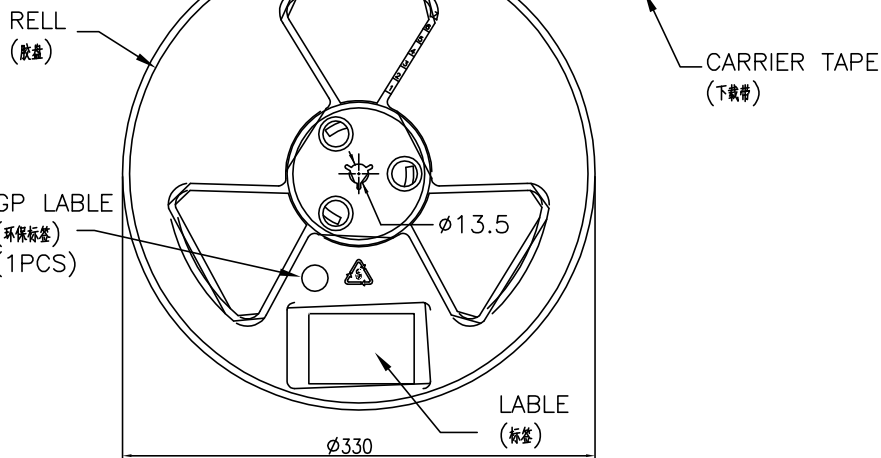
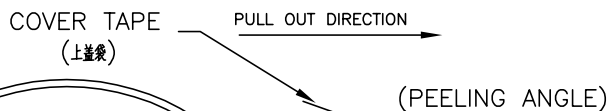
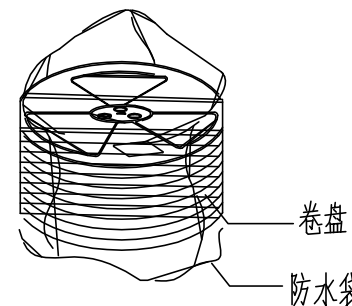
Tape width 44 and 72 mm

NOTE:

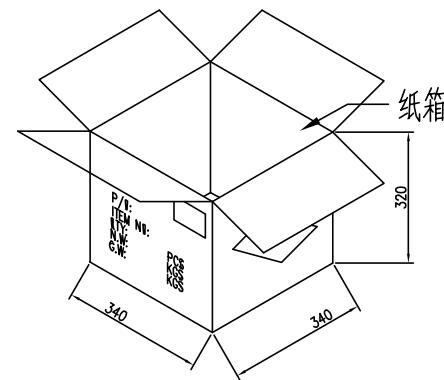
- 1.10 SProcket hole pitch cumulative tolerance  $\pm 0.20$
2. Carrier camber is within 1mm in 100mm.
3. Material: black conductive polystyrene alloy.
4. Material Thickness:  $0.3 \pm 0.05$ mm.
5. For tape width (dim W) 44 and 72mm pilot holes are provided on one sides.




PULL OUT DIRECTION →



W+4



Circuit	W	C	PCS /REEL	REEL/CARTON	SUM(PCS)
40~60PIN	44	40.4	1000	6	6000
70~80PIN	56	52.4	1000	5	5000
100~120PIN	72	68.4	1000	4	4000

REV.	REVISION RECORD	DATE	UNIT:mm	GENERAL TOLERANCES		SCALE:	NAME	DATE	PART.NO:	DWG.NO:	REV: A1	SHEET: 3/3
A0	NEW RELEASE	21.01.13		LINEAR	ANGLES	1:1						
A1	REMOVAL NOTCH	24.03.21	0.00±0.25	X'±3'	DESIGNER	Wang_jr	24.03.21	B080646M0-2XX2XXX01	ENDE05	 WanLian Teconology Co., Ltd		
			0.00±0.10	X'X' ±2'	DRAWN	Wang_jr	24.03.21					



WanLian Teconology Co., Ltd